

# 47 mm Filter Holder



## 47 mm Filter Holder

This innovative filter disc holder is designed for use in the clarification, sterilization and high purity filtration of liquids and gasses. The vented, sanitary holder ensures the utmost reliability and reproducibility of filtration results in validation and scale-up studies, research and development and general laboratory applications.



### Design Features and Benefits

- True sanitary design and smooth, ultraclean surface finish enhance cleanability
- Can be serially manifolded with similar filter holders
- Electropolished 316L stainless steel construction provides excellent durability and maximum corrosion resistance
- Clamp closure permits easy hand tightening of the filter holder
- Quick-release closure clamp speeds filter disc replacement and disassembly, and prevents filter distortion or breakage
- Bi-directional, PTFE-coated support screens securely support filter in forward or reverse flow conditions; prevent filter distortion or breakage; permit easy removal of filter after use; prevent filter from sticking to screens; provide security and reliability of result; allow filtration in either direction; protect against filter damage due to back (reverse) pressure surges
- Tapered body design minimizes fluid hold-up volume
- Non-threaded connections prevent entrapment of contaminants
- Sanitary vent valve facilitates draining, venting, integrity testing and sampling
- Holder can be inline steam sterilized, autoclaved or hot water sanitized with filter in place

### Typical Applications

- Particulate and microbial filtration
- Filter validation studies
- Fluid sampling
- Aseptic sampling of fluids
- POU filtration on filling machines
- Microbial challenge testing
- Carboy vents
- Contamination analysis
- Filterability testing
- Process scale-up studies

**Materials of Construction**

Filter Holder:	316L stainless steel
Cast Clamp:	304 stainless steel
Support Screens:	PTFE coated 316L stainless steel
Closure O-rings:	Silicone, Buna, EPR, Viton® or Teflon®
Vent Seal Tip:	Teflon®
Vent O-ring:	Silicone, Buna, ERP, Viton® or Teflon®

**Surface Finish**

Wetted surfaces are polished to  $\leq 25 \mu$  in Ra finish; exterior surfaces are polished to a buffed-mirror finish. All surfaces are electropolished.

**Maximum Operating Pressure**

150 psig @ 70 °F (10 bar @ 21 °C)

**Connections**

Inlet/Outlet:	3/4" sanitary flange
Vent:	1/4" hose barb

**Filter Disc Size**

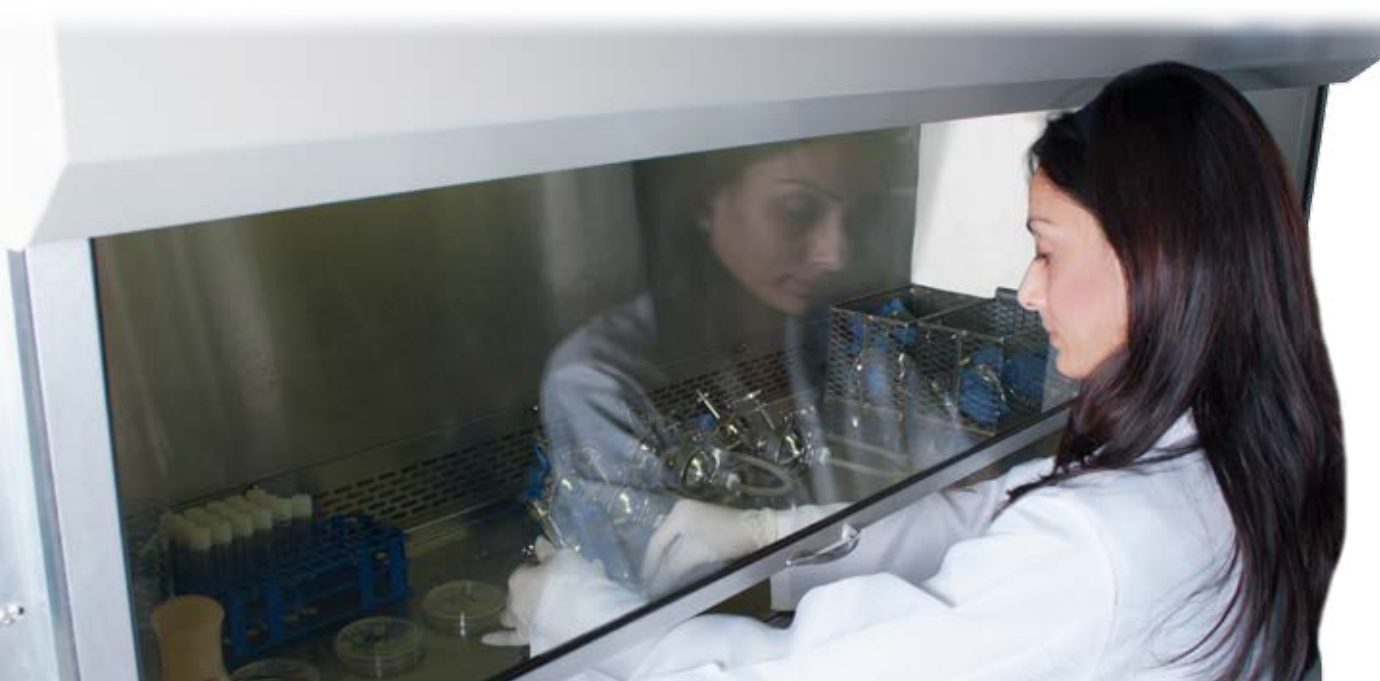
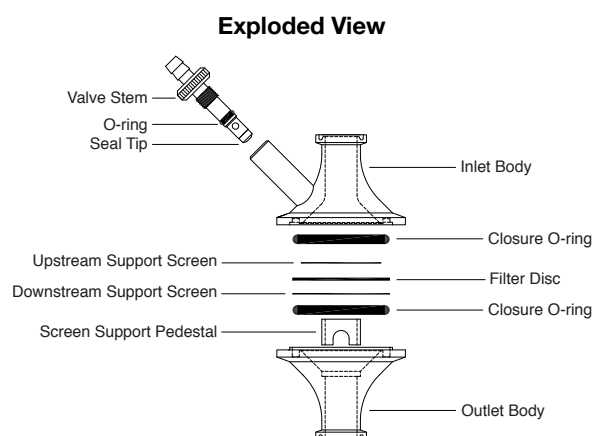
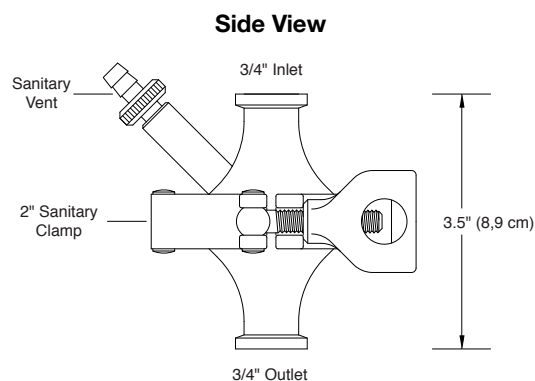
47 mm diameter membrane

**Effective Filtration Area**

12.4 cm<sup>2</sup> (1.92 in<sup>2</sup>)

**Sterilization**

Holder can be inline steam sterilized, autoclaved or hot water sanitized with filter disc in place.



## Ordering Information

Filter Holder	Closure O-ring
DH1-047	S
<b>DH1-047 =</b> Vented Sanitary 47 mm Inline Filter Holder	<b>B = Buna</b> <b>E = RPR</b> <b>S = Silicone</b> <b>T = Teflon®</b> <b>V = Viton®</b>

## Replacement Parts

	Part Number
Inlet body with vent	<b>22200-50</b>
Outlet body	<b>22100-30</b>
Vent valve stem	<b>11300-20</b>
Clamp, 2"	<b>19020-10</b>
Upstream support screen, PTFE coated	<b>22250-20</b>
Upstream support screen, uncoated	<b>22250-00</b>
Downstream support screen, PTFE coated	<b>22275-20</b>
Downstream support screen, uncoated	<b>22275-00</b>
Downstream support pedestal	<b>22300-20</b>
Closure O-ring, Buna, 2/pkg.	<b>DH1-223B</b>
Closure O-ring, EPR, 2/pkg.	<b>DH1-223E</b>
Closure O-ring, Silicone, 2/pkg.	<b>DH1-223S</b>
Closure O-ring, PTFE encapsulated, 2/pkg.	<b>DH1-223T</b>
Closure O-ring, Viton®, 2/pkg.	<b>DH1-223V</b>
<i>Valve seal kits include 2 O-rings and 2 valve seal tips per kit:</i>	
Valve seal kit, Buna	<b>1133B-00</b>
Valve seal kit, EPR	<b>1133E-00</b>
Valve seal kit, Silicone	<b>1133S-00</b>
Valve seal kit, PTFE	<b>1133T-00</b>
Valve seal kit, Viton®	<b>1133V-00</b>

## Accessories

	Part Number
3/4" Sanitary clamp	<b>19007-10</b>
Adapter, 3/4" sanitary flange to 1/4" hose barb	<b>22410-20</b>
3/4" Sanitary gasket, Buna	<b>4207-HSB</b>
3/4" Sanitary gasket, EPR	<b>4207-HSE</b>
3/4" Sanitary gasket, Silicone	<b>4207-HSS</b>
3/4" Sanitary gasket, PTFE	<b>4207-HST</b>
3/4" Sanitary gasket, Viton®	<b>4207-HSV</b>